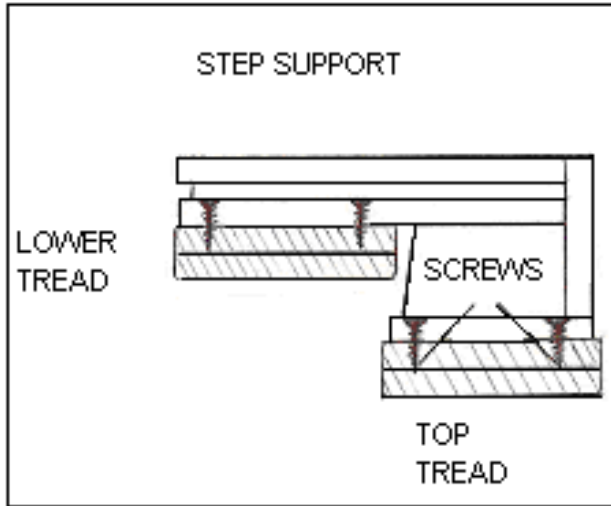


## A & B Accessories

### Assembly guide for double steps



First, place the top tread (step) face down on a non-scratching surface. Locate the step supports where marked, **unless you are adding a handrail**. In which case, locate the step support exactly 1 inch from the edge of the tread. Drive 3" screws through the pre-drilled holes\* in the step supports keeping the rounded ends flush with the front of the tread. Set partial assembly in upright position. Tip support back to allow screw installation of lower tread. The diagram shows a sectional side view of the steps in position for top tread attachment.

Maintenance; we recommend re-coating your redwood steps with A & B Wood Finish, or a similar product, at least twice a year.

\*Screws may be relocated if they are obstructed by existing screws