



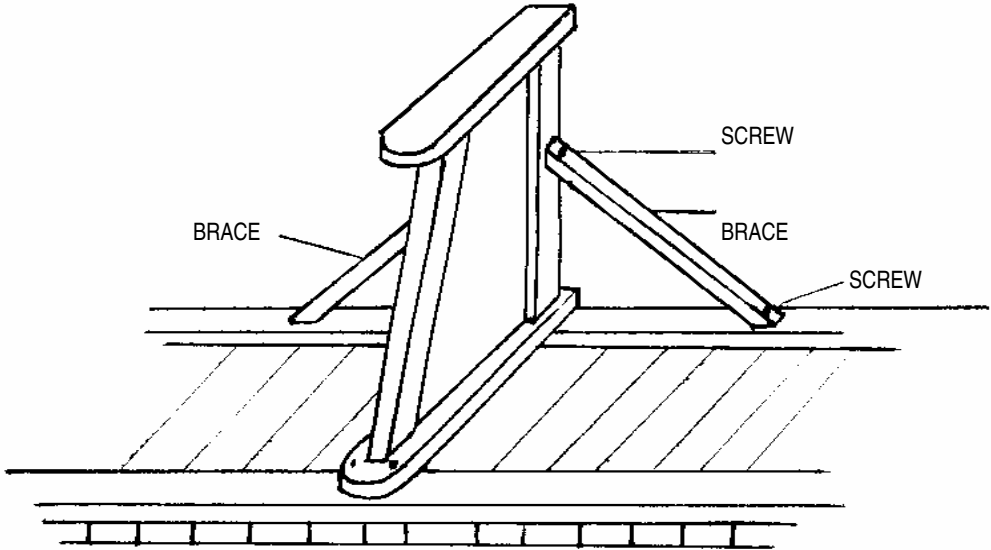
899 N. Centennial Ave
West Fork, AR 72774

Assembly guide for free standing tables & benches.

1. If the Surround has several sections, it is helpful to lay them out around the spa to confirm the location and fit of the sections.
2. Turn the tabletops upside down on a non-scratching surface. Two or three sections can be assembled together but not so many that it will be unwieldy to turn the assembly upright.
3. Place the legs in location and fasten to the tables with 2.5" screws through the pilot holes in the legs.
4. Where the sections join, make sure the pieces are aligned properly before fastening the leg. You may fasten the leg to only one of the sections at this stage and secure the other section after placing the parts in their final position around the spa.
5. Braces are provided to increase lateral stability and are fastened, as shown on the next page, to the rear flange of the legs and the underside of the table
6. To complete installation, turn the sub assemblies right side up and put them in position around the spa. If any of the sections are not fastened together, complete that by running screws from the underside, through the legs into the table sections.

See reverse side for diagrams

DETAIL OF LEG AND BRACE ATTACHMENT



PARTIAL UNDERSIDE VIEW SHOWING
TYPICAL LEG AND BRACE LOCATION

