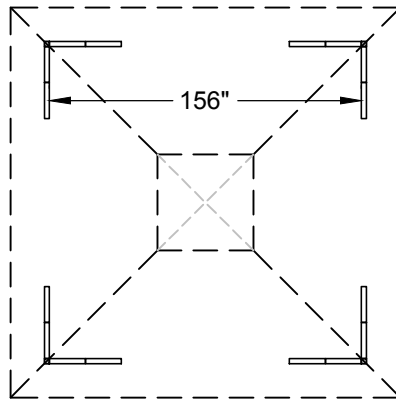


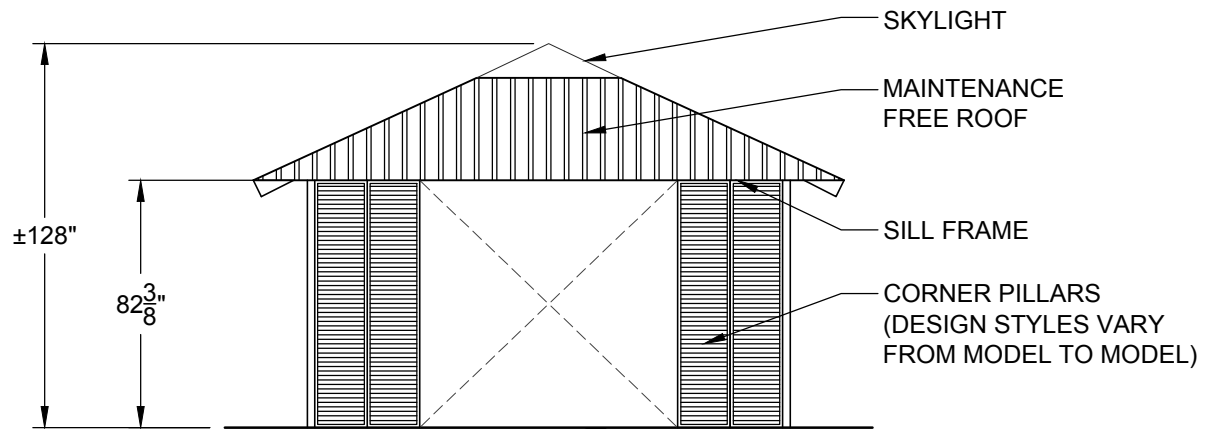
# BASIC 14' x 14' GAZEBO

## QUICK REFERENCE OVERVIEW SHOWING BASIC COMPONENTS

**NOTE:** MAKE SURE BUILDING SITE IS LEVEL AND HAS NO OBSTRUCTIONS (ROOF OVERHANGS, ELECTRICAL WIRES, TREE BRANCHES, ETC.)



**PLAN VIEW**  
SCALE: 1/8" = 1'-0"

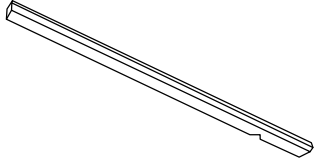
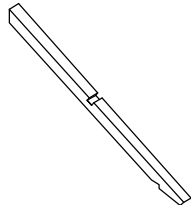
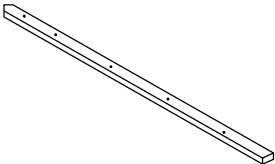
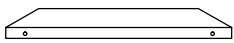
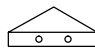
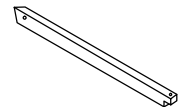
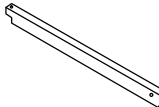
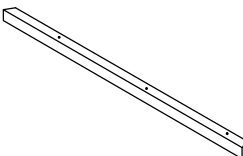
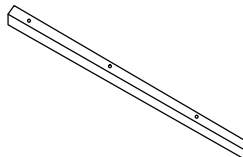
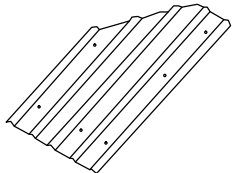
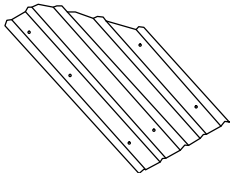
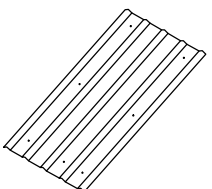
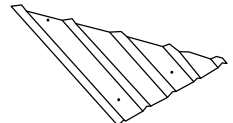
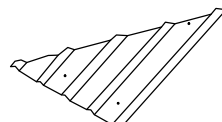
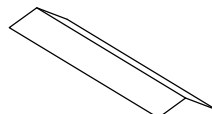
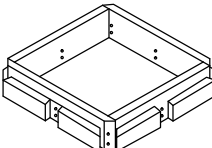
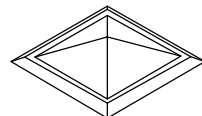
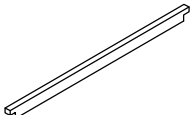
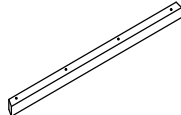
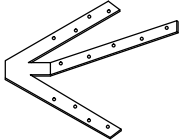
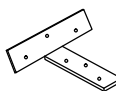
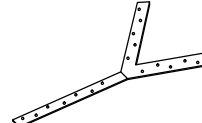
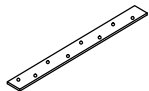









**ELEVATION**  
SCALE: 3/16" = 1'-0"

DRAWN BY:	J. SMITH	SCALE:	AS NOTED
CHECKED BY:	J. OLSON	DATE:	12/28/2015

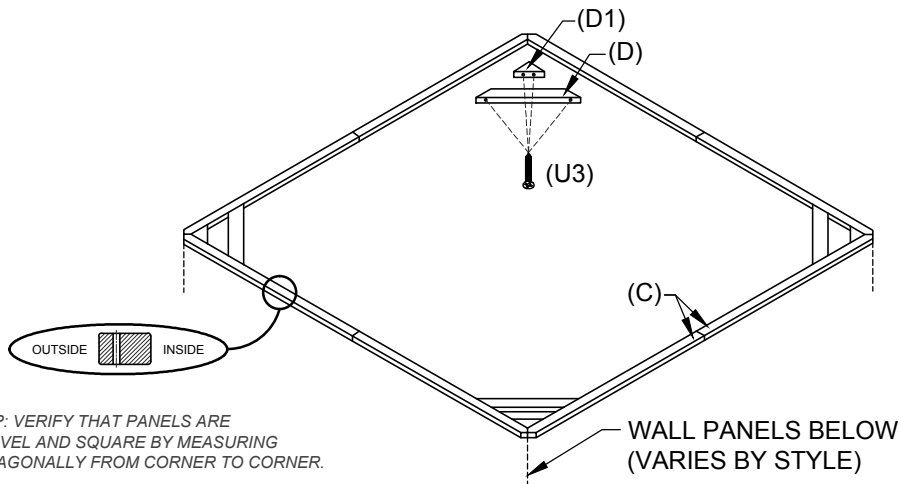


TITLE: 14' x 14' Gazebo Overview		JOB #:	14x14
REVISION NUMBER:	DATE:	DWG #:	PAGE 1

 <p><b>PART A: CORNER RAFTER</b> QTY: 4 SIZE: 57 1/2" (1460mm)</p>	 <p><b>PART B: MIDDLE RAFTER</b> QTY: 8 SIZE: 26" (654mm)</p>	 <p><b>PART C: SILL PLATE</b> QTY: 8 SIZE: 79" (2010mm)</p>	 <p><b>PART D: DIAGONAL CORNER GUSSET</b> QTY: 4 SIZE: 23" (590mm)</p>	 <p><b>PART D1: CORNER GUSSET</b> QTY: 4 SIZE: 7" (180mm)</p>	 <p><b>PART E: MIDDLE ROOF SUPPORT</b> QTY: 4 SIZE: 35" (886mm)</p>
 <p><b>PART F: MIDDLE ROOF SUPPORT</b> QTY: 4 SIZE: 35" (886mm)</p>	 <p><b>PART I: LOWER ROOF SUPPORT</b> QTY: 4 SIZE: 53 1/4" (1355mm)</p>	 <p><b>PART J: LOWER ROOF SUPPORT</b> QTY: 4 SIZE: 53 1/4" (1355mm)</p>	 <p><b>PART (A-1) (B-1): METAL ROOF PANEL</b> QTY: 4 OF EA. SIZE: 58 1/4" (1480mm)</p>	 <p><b>PART (A-2) (B-2): METAL ROOF PANEL</b> QTY: 4 OF EA. SIZE: 58 1/4" (1480mm)</p>	 <p><b>PART (A-3) (B-3): METAL ROOF PANEL</b> QTY: 4 OF EA. SIZE: 58 1/4" (1480mm)</p>
 <p><b>PART (A-4) (B-4): METAL ROOF PANEL</b> QTY: 4 OF EA. SIZE: 37" (945mm)</p>	 <p><b>PART (A-5) (B-5): METAL ROOF PANEL</b> QTY: 4 OF EA. SIZE: 37" (945mm)</p>	 <p><b>PART P: METAL RIDGE CAP</b> QTY: 4 SIZE: 96" (2032mm)</p>	 <p><b>PART Q: WOOD SKYLIGHT FRAME</b> QTY: 1 SIZE: 50" (1270mm)</p>	 <p><b>PART R: SKYLIGHT</b> QTY: 1 SIZE: 48" (610mm)</p>	
 <p><b>PART S5: ROOF SUPPORT</b> QTY: 4 SIZE: 47" (1200mm)</p>	 <p><b>PART S6: LOWER ROOF SUPPORT</b> QTY: 4 SIZE: 45" (1130mm)</p>	 <p><b>PART T1: BRACKET</b> QTY: 4</p>	 <p><b>PART T2: BRACKET</b> QTY: 8</p>	 <p><b>PART T3: BRACKET</b> QTY: 4</p>	 <p><b>PART T4: BRACKET</b> QTY: 4</p>
 <p><b>PART U1: SCREW</b> QTY: 90 SIZE: 1/8 x 3 1/8" (5 x 90mm)</p>	 <p><b>PART U2: SCREW</b> QTY: 60 SIZE: 1/8 x 3" (5 x 75mm)</p>	 <p><b>PART U3: SCREW</b> QTY: 152 SIZE: 1/8 x 2 1/8" (5 x 55mm)</p>	 <p><b>PART U4: SCREW</b> QTY: 284 SIZE: 1/8 x 1 1/8" (4 x 30mm)</p>	 <p><b>PART U5: SCREW</b> QTY: 40 SIZE: 1/8 x 2 1/8" (4 x 55mm)</p>	 <p><b>PART U6: SCREW</b> QTY: 20 SIZE: 1/8 x 1" (4 x 20mm)</p>
<p>DRAWN BY: J. SMITH</p>	<p>SCALE: NTS</p>		<p>TITLE: 14' x 14' Gazebo Parts &amp; Hardware List</p>		<p>JOB #: 14x14</p>
<p>CHECKED BY: J. OLSON</p>	<p>DATE: 12/28/2015</p>		<p>REVISION NUMBER:</p>	<p>DATE:</p>	<p>DWG #: PAGE 2</p>

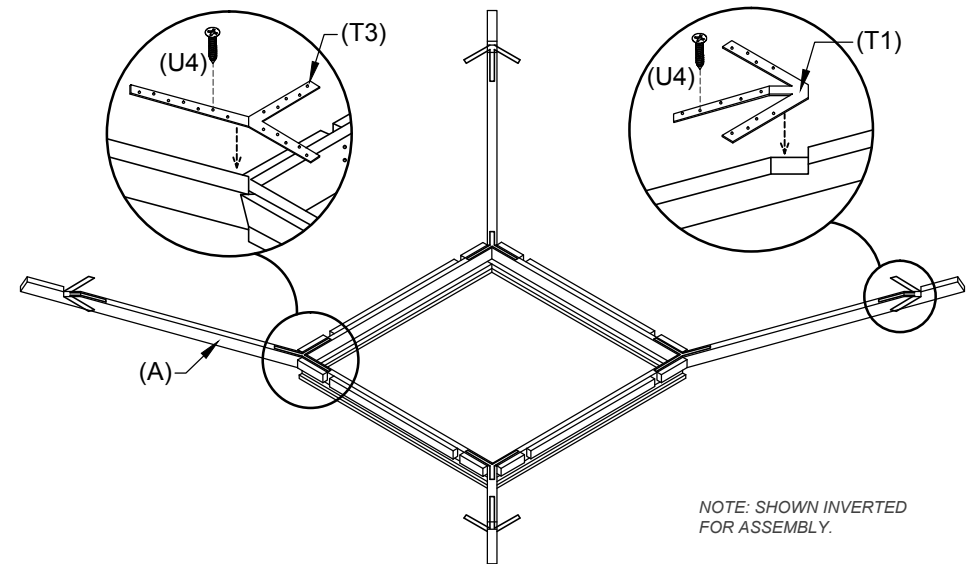
### STEP #1:

- A. LAY OUT SILL PLATES (C) IN A SQUARE, ON A FLAT SURFACE.
- B. ATTACH CORNER GUSSETS (D & D1) TO SILL PLATES (C) AS SHOWN.
- C. POSITION ASSEMBLY ON TOP OF WALL PANELS IN TWO HALVES.
- D. VERIFY ASSEMBLIES ARE LEVEL AND SQUARE, THEN SECURE TO PANELS.



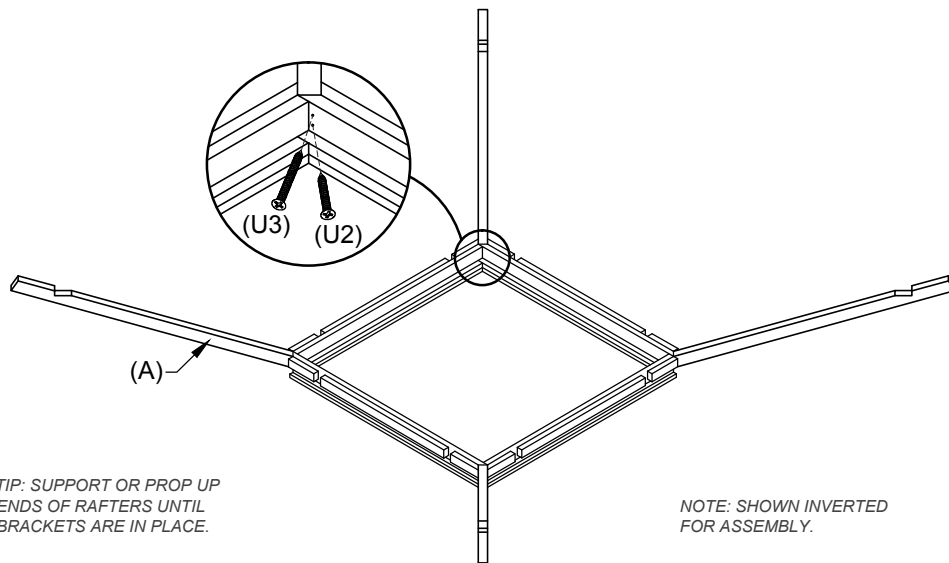
### STEP #2:

- A. SCREW BRACKETS (T1 & T3) TO CORNER RAFTERS (A).



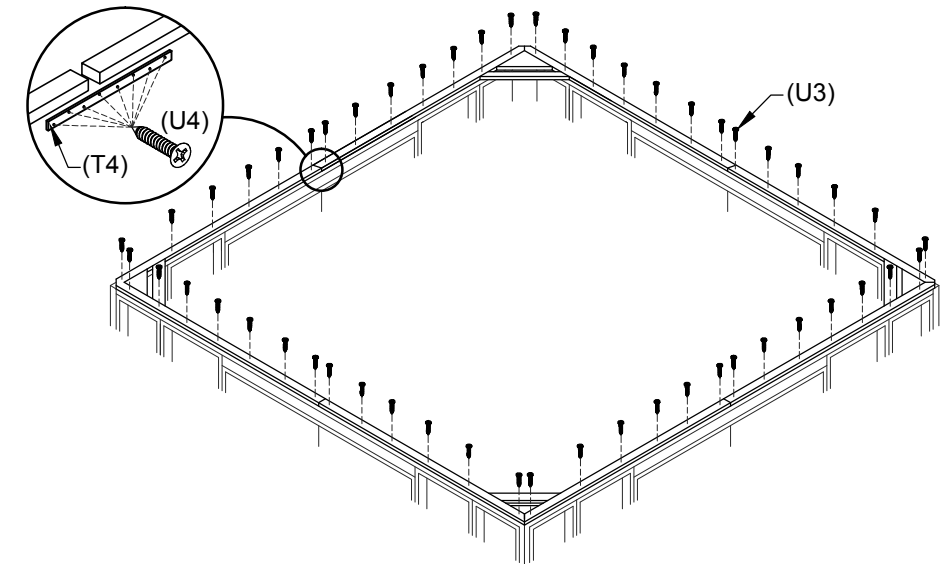
### STEP #3:

- A. ATTACH CORNER RAFTERS (A) TO SKYLIGHT FRAME WITH SCREWS (U2 & U3).



### STEP #4:

- A. SPLICE SILL PLATES (C) TOGETHER WITH BRACKETS (T4).
- B. SCREW HEADER BOARDS (FROM TOPSIDE) TO SILL PLATE.



DRAWN BY: J. SMITH

SCALE: NTS

CHECKED BY: J. OLSON

DATE: 12/28/2015



TITLE: 14' x 14' Gazebo  
Assembly: Steps 1-4

JOB #: 14x14

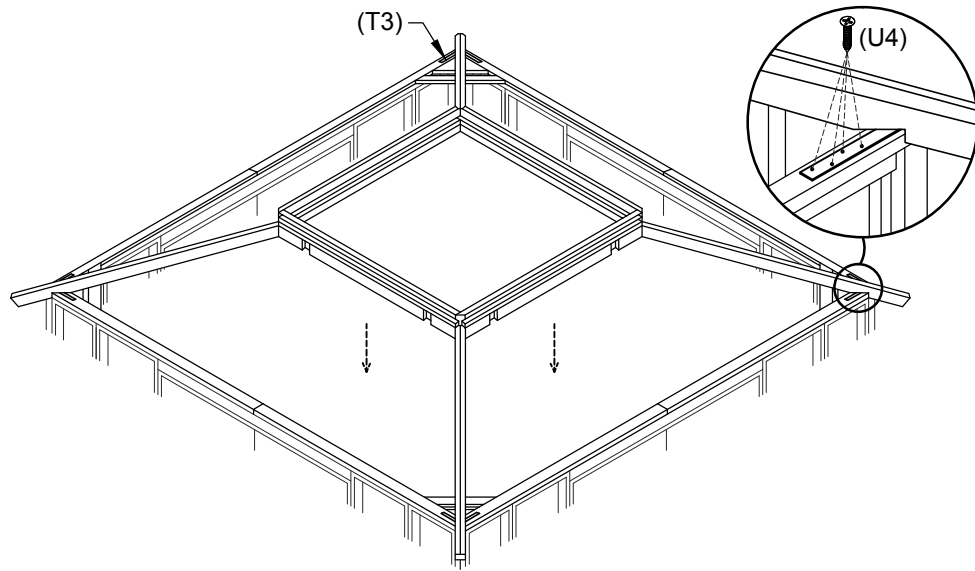
REVISION NUMBER:

DATE:

DWG #: PAGE 3

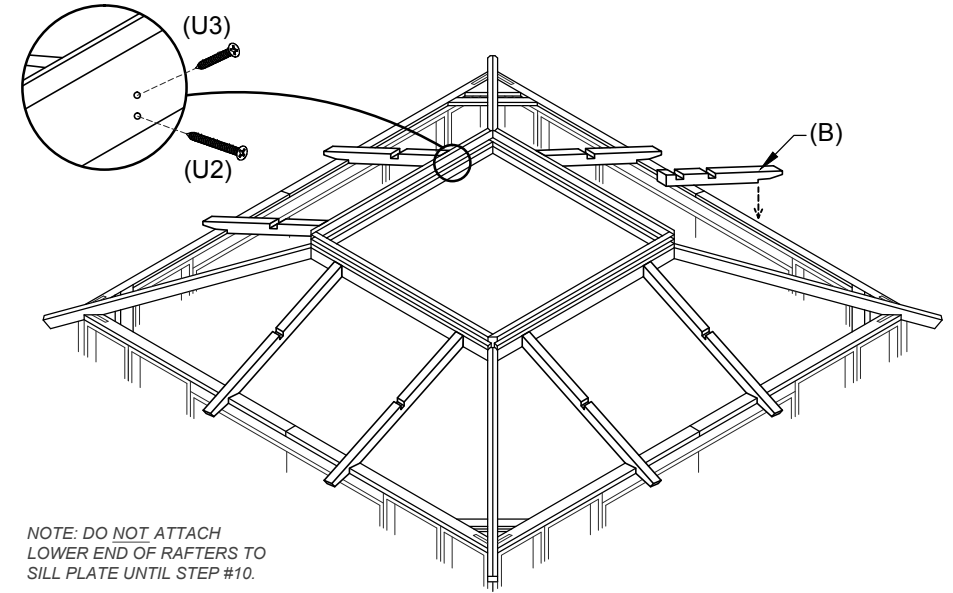
**STEP #5:**

- A. CAREFULLY POSITION RAFTER ASSEMBLY ON TOP OF SILL PLATES.
- B. SCREW RAFTER ASSEMBLY TO SILL PLATES USING BRACKETS (T3).



**STEP #6:**

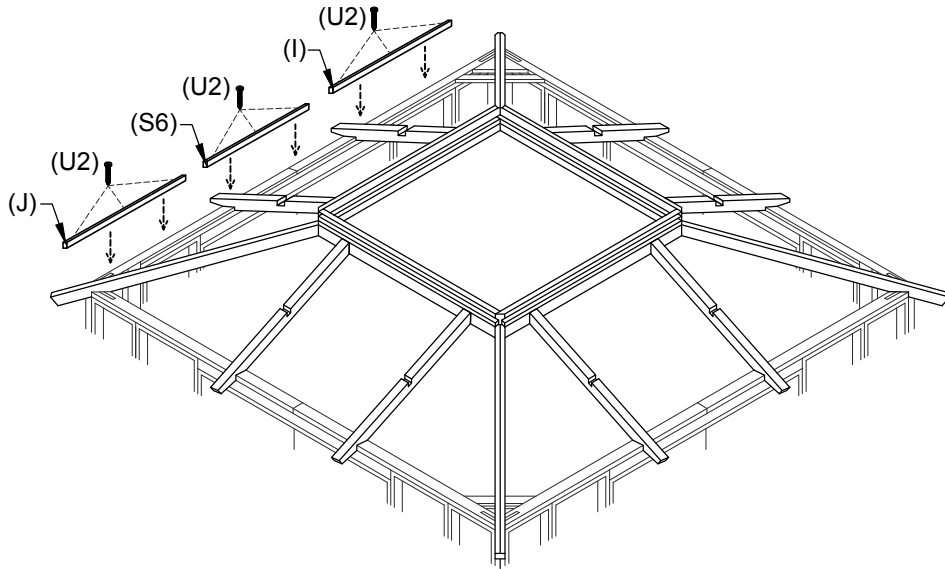
- A. ATTACH EIGHT MIDDLE RAFTERS (B) TO SKYLIGHT FRAME.



NOTE: DO NOT ATTACH LOWER END OF RAFTERS TO SILL PLATE UNTIL STEP #10.

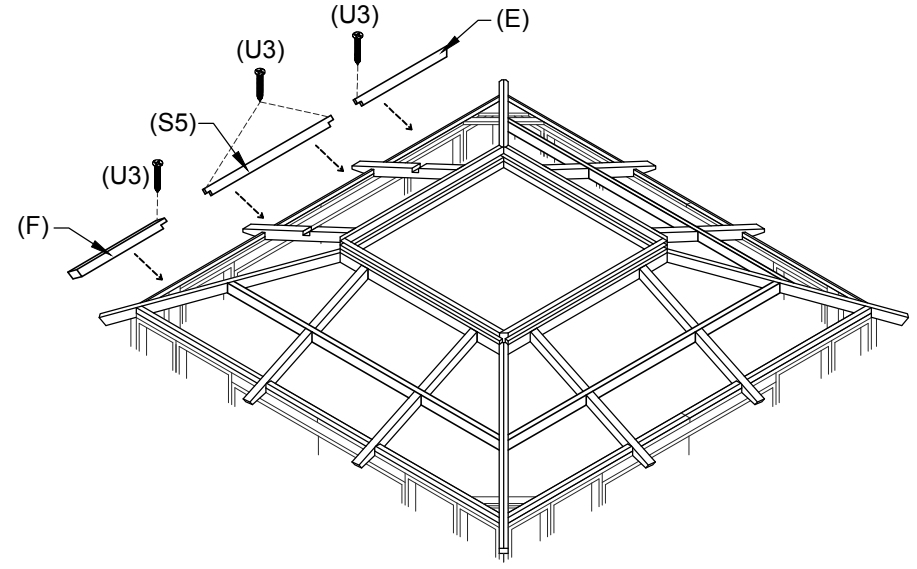
**STEP #7:**

- A. ATTACH TWELVE LOWER ROOF SUPPORTS (I, J & S6) BETWEEN CORNER RAFTERS (A) AND MIDDLE RAFTERS (B).



**STEP #8:**

- A. ATTACH CENTER ROOF SUPPORTS (E, F & S5) TO RAFTERS (A & B).



DRAWN BY: J. SMITH

SCALE: NTS

CHECKED BY: J. OLSON

DATE: 12/28/2015



TITLE: 14' x 14' Gazebo  
Assembly: Steps 5-8

JOB #: 14x14

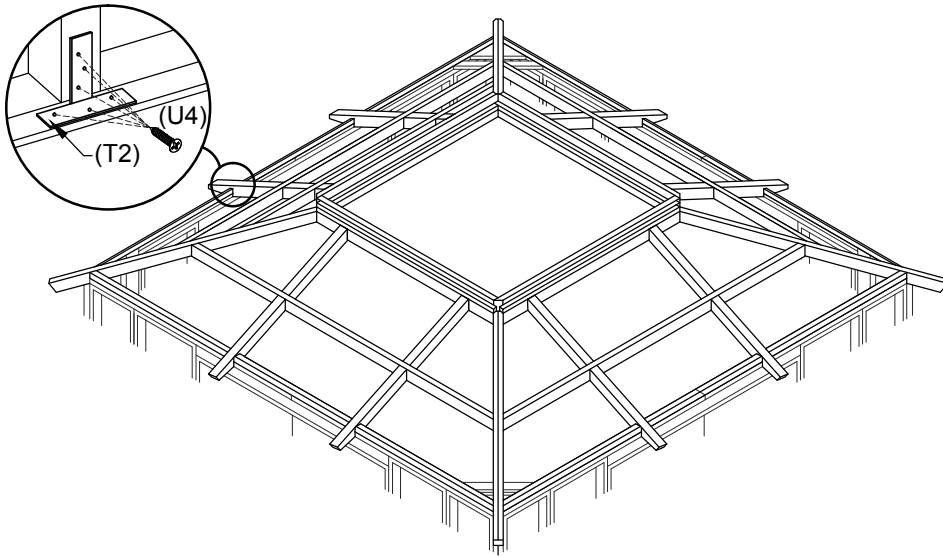
REVISION NUMBER:

DATE:

DWG #: PAGE 4

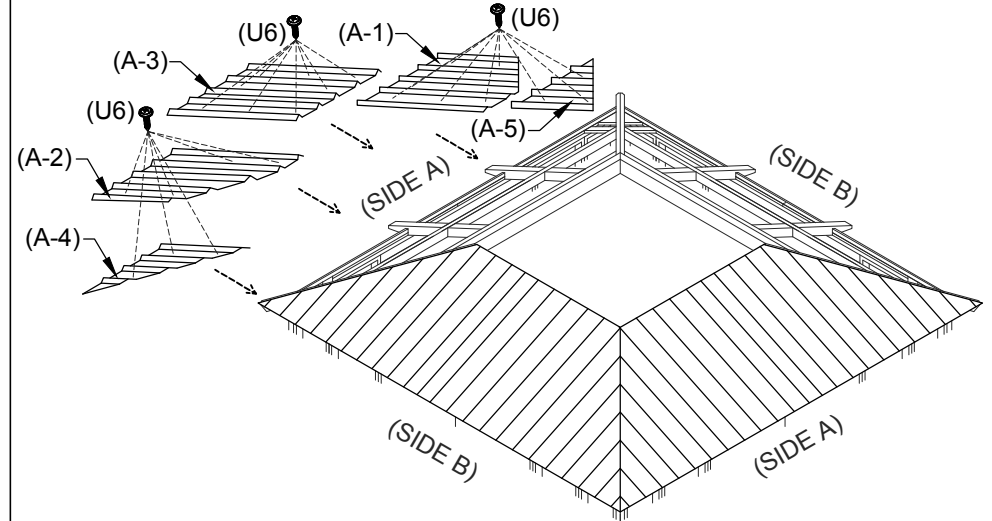
**STEP #9:**

- A. ATTACH BOTTOM OF EIGHT MIDDLE RAFTERS (B) TO SILL PLATES (C) WITH BRACKETS (T2) AS SHOWN.



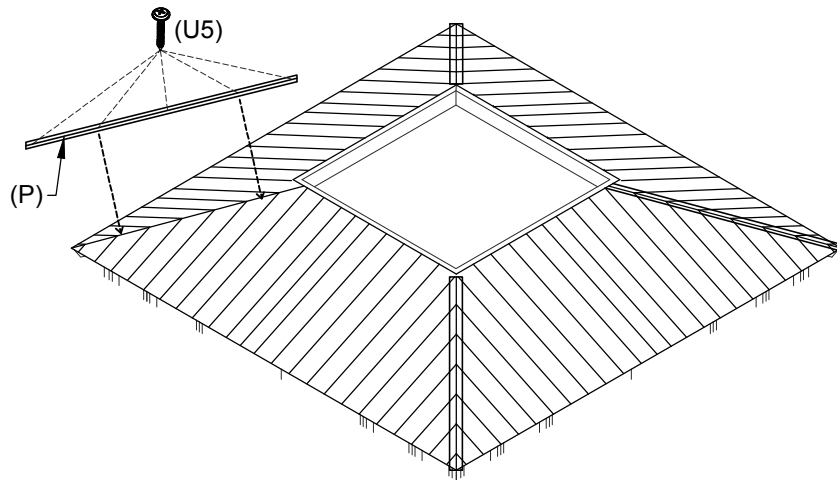
**STEP #10:**

- A. POSITION LARGE CENTER PANELS (A-1, A-2 & A-3), THEN SCREW INTO PLACE THROUGH PRE-DRILLED HOLES.  
 B. ALIGN LOWER CORNER PIECES (A-4 & A-5), THEN SCREW INTO PLACE.  
 C. REPEAT FOR ADJACENT SIDE B (B-1, B-2, B-3, B-4 & B-5).



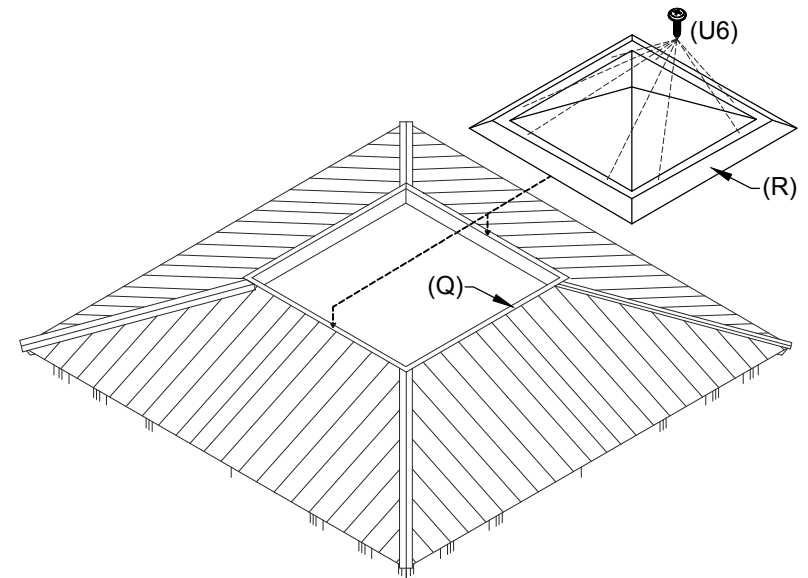
**STEP #11:**

- A. SECURE RIDGE CAP (P) OVER CORNER SEAM. REPEAT AT EACH CORNER.



**STEP #12:**

- A. ATTACH SKYLIGHT (R) TO SKYLIGHT FRAME (Q) AS SHOWN.



DRAWN BY: J. SMITH

SCALE: NTS

CHECKED BY: J. OLSON

DATE: 12/28/2015



TITLE: 14' x 14' Gazebo  
 Assembly: Steps 9-12

JOB #: 14x14

REVISION NUMBER:

DATE:

DWG #: PAGE 5