

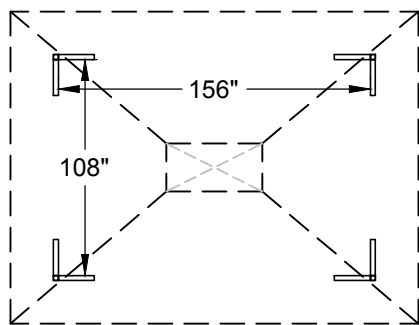
# BASIC 10' x 14' GAZEBO

## QUICK REFERENCE OVERVIEW SHOWING BASIC COMPONENTS



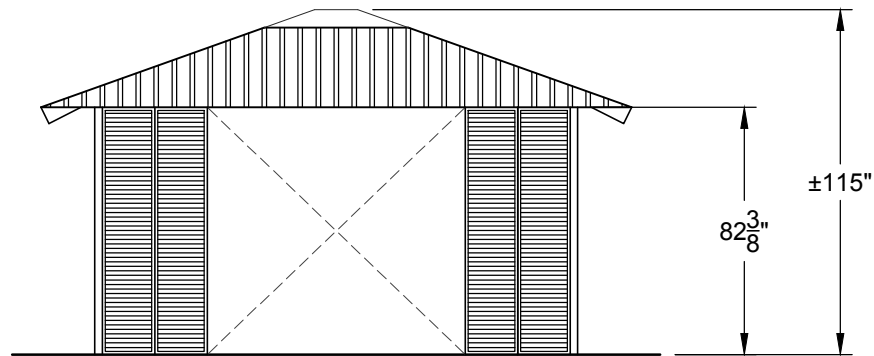
NOTE: MAKE SURE BUILDING SITE IS LEVEL AND HAS NO OBSTRUCTIONS (ROOF OVERHANGS, ELECTRICAL WIRES, TREE BRANCHES, ETC.)

ISOMETRIC VIEW



PLAN VIEW

SCALE: 1/8" = 1'-0"



ELEVATION

SCALE: 3/16" = 1'-0"

DRAWN BY: J. SMITH

SCALE: AS NOTED

CHECKED BY: J. OLSON

DATE: 12/28/2015



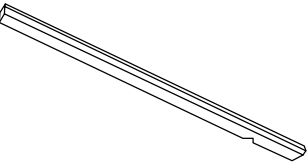
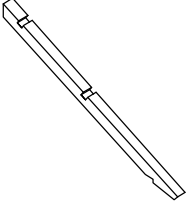
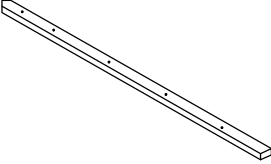
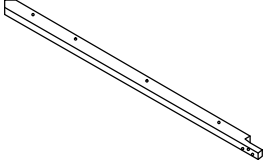
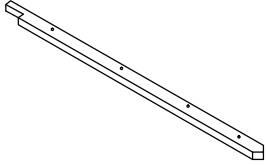
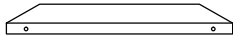

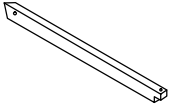
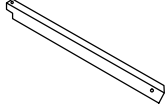


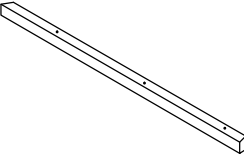
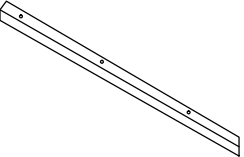
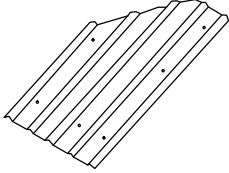
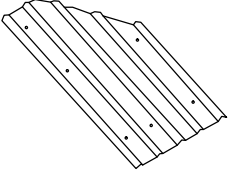
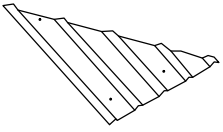
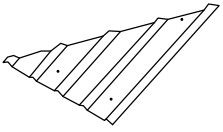
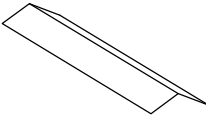
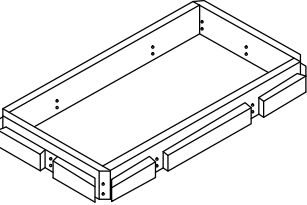
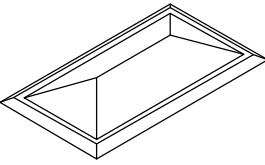
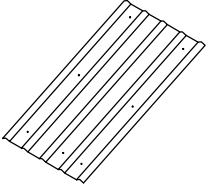
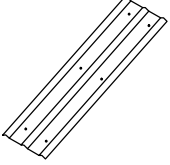
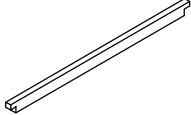
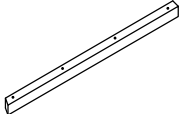

TITLE: 10' x 14' Gazebo  
Overview

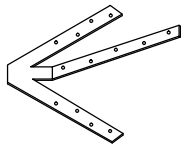
JOB #: 10x14

REVISION NUMBER:

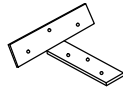
DATE:

DWG #: PAGE 1

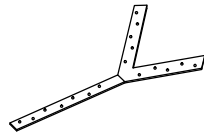
 <p><b>PART A: CORNER RAFTER</b> QTY: 4 SIZE: 78" (1980mm)</p>	 <p><b>PART B: MIDDLE RAFTER</b> QTY: 6 SIZE: 57 1/2" (1460mm)</p>	 <p><b>PART C: SIDE UPPER SILL PLATE</b> QTY: 4 SIZE: 79" (2010mm)</p>	 <p><b>PART C1: SILL PLATE</b> QTY: 2 SIZE: 57 1/2" (1460mm)</p>	 <p><b>PART C2: SILL PLATE</b> QTY: 2 SIZE: 57 1/2" (1460mm)</p>	 <p><b>PART D: DIAGONAL CORNER GUSSET</b> QTY: 4 SIZE: 23" (590mm)</p>	
 <p><b>PART D1: CORNER GUSSET</b> QTY: 4 SIZE: 7" (180mm)</p>	 <p><b>PART E: MIDDLE ROOF SUPPORT</b> QTY: 4 SIZE: 35" (886mm)</p>	 <p><b>PART F: MIDDLE ROOF SUPPORT</b> QTY: 4 SIZE: 35" (886mm)</p>	 <p><b>PART G: UPPER ROOF SUPPORT</b> QTY: 4 SIZE: 16" (400mm)</p>	 <p><b>PART H: UPPER ROOF SUPPORT</b> QTY: 4 SIZE: 16" (400mm)</p>	 <p><b>PART I: LOWER ROOF SUPPORT</b> QTY: 4 SIZE: 53 1/4" (1355mm)</p>	
 <p><b>PART J: LOWER ROOF SUPPORT</b> QTY: 4 SIZE: 53 1/4" (1355mm)</p>	 <p><b>PART K: LAPPED METAL ROOF PANEL</b> QTY: 4 SIZE: 58 1/4" (1480mm)</p>	 <p><b>PART L: LAPPED METAL ROOF PANEL</b> QTY: 4 SIZE: 58 1/4" (1480mm)</p>	 <p><b>PART M: LAPPED METAL ROOF PANEL</b> QTY: 4 SIZE: 37" (945mm)</p>	 <p><b>PART N: LAPPED METAL ROOF PANEL</b> QTY: 4 SIZE: 37" (945mm)</p>	 <p><b>PART P: METAL RIDGE CAP</b> QTY: 4 SIZE: 80" (2032mm)</p>	
 <p><b>PART Q: WOOD SKYLIGHT FRAME</b> QTY: 1 SIZE: 76" (1935mm)</p>	 <p><b>PART R: SKYLIGHT</b> QTY: 1 SIZE: 75" (1900mm)</p>	 <p><b>PART S3: LAPPED METAL ROOF PANEL</b> QTY: 2 SIZE: 58 1/4" (1480mm)</p>	 <p><b>PART S4: LAPPED METAL ROOF PANEL</b> QTY: 2 SIZE: 58 1/4" (1480mm)</p>	 <p><b>PART S5: ROOF SUPPORT</b> QTY: 4 SIZE: 47" (1200mm)</p>	 <p><b>PART S6: LOWER ROOF SUPPORT</b> QTY: 2 SIZE: 45" (1130mm)</p>	
<p>DRAWN BY: J. SMITH</p>	<p>SCALE: NTS</p>			<p>TITLE: 10' x 14' Gazebo Parts List</p>		<p>JOB #: 10x14</p>
<p>CHECKED BY: J. OLSON</p>	<p>DATE: 12/28/2015</p>			<p>REVISION NUMBER:</p>	<p>DATE:</p>	<p>DWG #: PAGE 2</p>



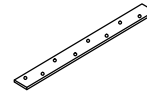
**PART T1: BRACKET**  
QTY: 4



**PART T2: BRACKET**  
QTY: 4



**PART T3: BRACKET**  
QTY: 4



**PART T4: BRACKET**  
QTY: 2



**PART T6: BRACKET**  
QTY: 4



**PART U2: SCREW**  
QTY: 32 SIZE: 1/8 x 3" (5 x 75mm)



**PART U3: SCREW**  
QTY: 100 SIZE: 1/8 x 2 1/8" (5 x 55mm)



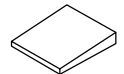
**PART U4: SCREW**  
QTY: 144 SIZE: 1/8 x 1 1/8" (4 x 30mm)



**PART U5: SCREW**  
QTY: 24 SIZE: 1/8 x 2 1/8" (4 x 55mm)



**PART U6: SCREW**  
QTY: 80 SIZE: 1/8 x 1" (4 x 20mm)



**PART V: SHIM**  
QTY: 10

DRAWN BY: J. SMITH

SCALE: NTS

CHECKED BY: J. OLSON

DATE: 12/28/2015



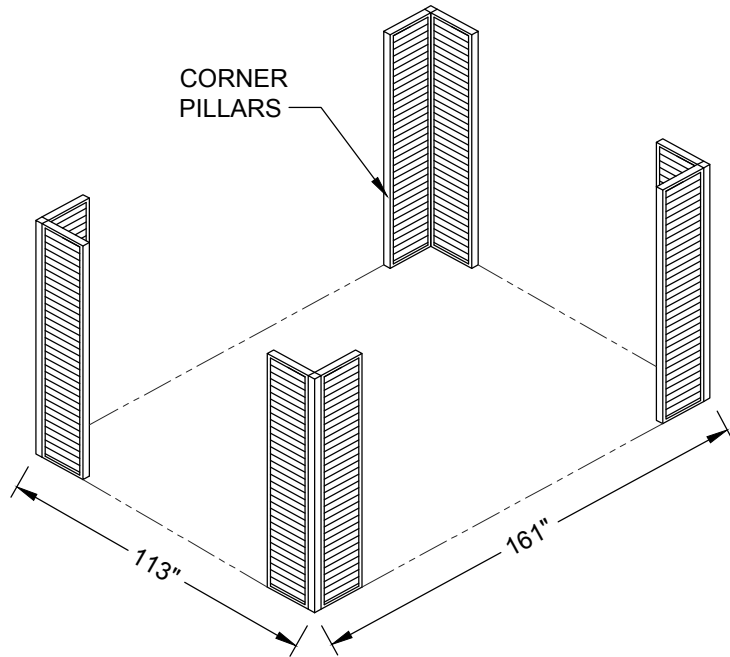
TITLE: 10' x 14' Gazebo  
Hardware List

JOB #: 10x14

REVISION NUMBER:

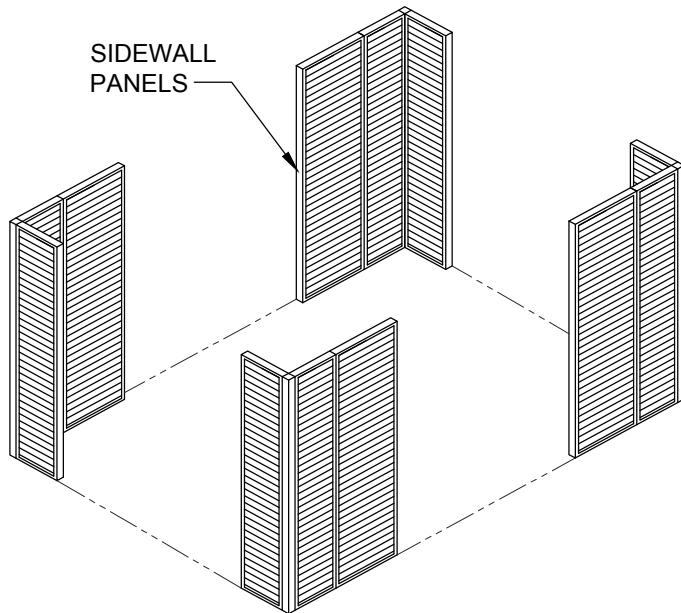
DATE:

DWG #: PAGE 3



## 10' x 14' GAZEBO WALL PANEL ASSEMBLY INSTRUCTIONS:

1. UNPACK AND CHECK ALL COMPONENTS FOR ANY DAMAGE OR MISSING ITEMS.
2. MOUNT OPTIONAL SPACERS ON BOTTOM OF PANELS (SEE PAGE 27 OF "ACCESSORIES AND OPTIONS").
3. ATTACH TWO (CAS545#) HOLD-DOWN BRACKETS TO EACH CORNER PILLAR (SEE PAGE 75 OF "ACCESSORIES AND OPTIONS").
4. CHECK SURFACE: MUST BE LEVEL TO INSURE PROPER FIT OF ALL COMPONENTS (SHIMS MAY BE REQUIRED).
5. POSITION CORNER PILLARS IN DESIRED FINAL LOCATION. MAKE SURE THERE ARE NO OVERHEAD OBSTRUCTIONS.
6. ADD ADDITIONAL SPACERS TO BOTTOMS OF FOUR SIDEWALL PANELS (SEE PAGE 75 OF "ACCESSORIES & OPTIONS").
7. POSITION FOUR SIDEWALL PANELS IN PLACE AND SCREW TO CORNER PILLAR UNITS WITH PROVIDED HARDWARE.
8. DO PRELIMINARY CHECK FOR LEVEL & SQUARE BEFORE PROCEEDING TO NEXT STEP. RECONFIRM THERE ARE NO OVERHEAD OBSTRUCTIONS.



NOTE: DO NOT SECURE TO FLOOR UNTIL INSTALLATION IS COMPLETE AND YOU HAVE CHECKED SQUARENESS OF STRUCTURE.

DRAWN BY: J. SMITH

SCALE: NTS

CHECKED BY: J. OLSON

DATE: 12/28/2015



TITLE: 10' x 14' Gazebo  
Wall Panel Assembly

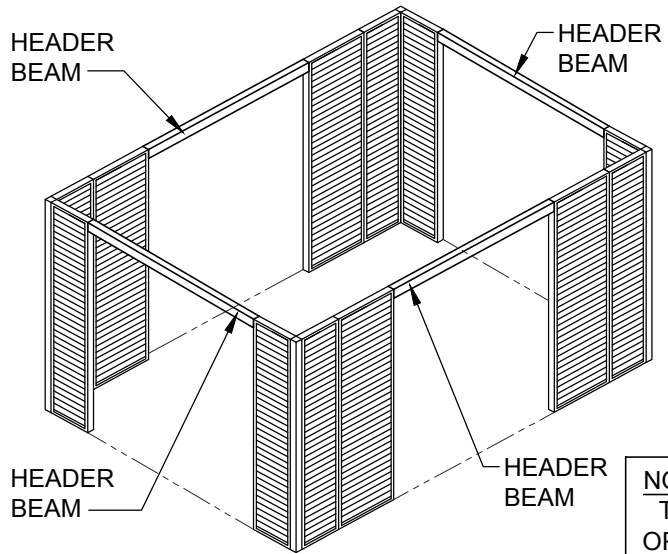
JOB #: 10x14

REVISION NUMBER:

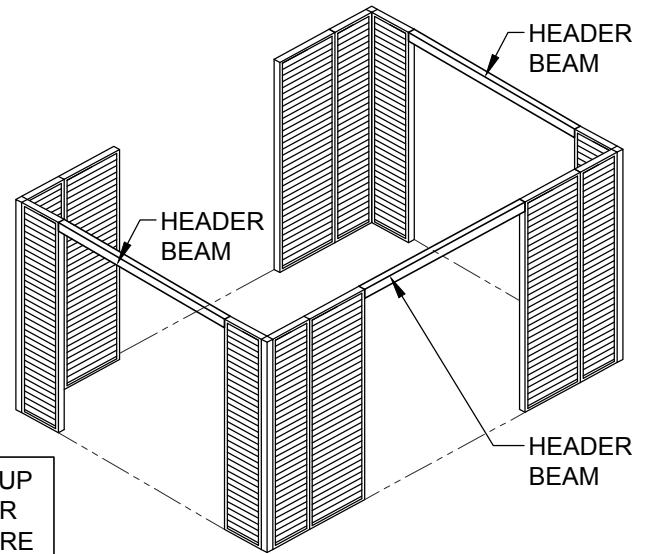
DATE:

DWG #: PAGE 4

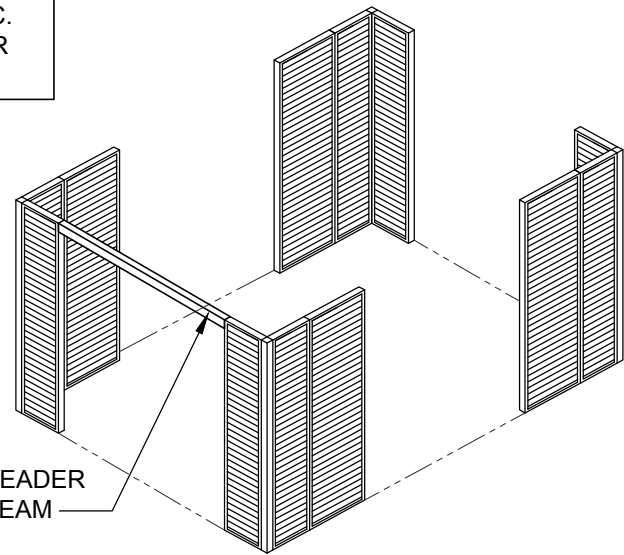
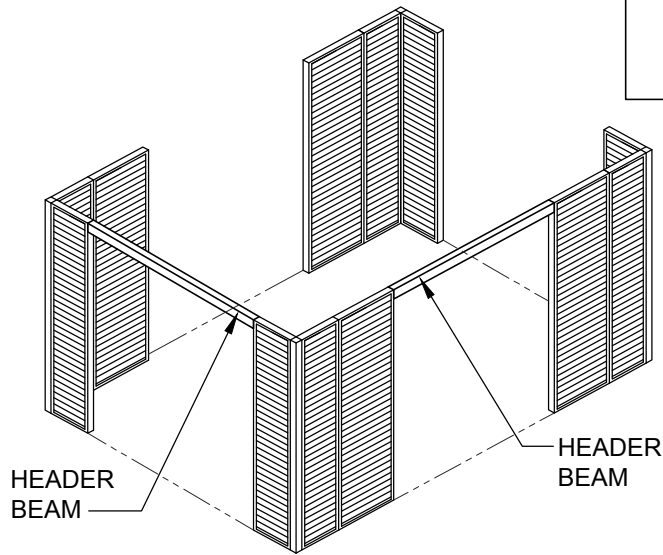
**FOUR SIDES OPEN: REQUIRES 4 HEADER BEAMS**



**THREE SIDES OPEN: REQUIRES 3 OF 4 HEADER BEAMS**



**NOTE: YOUR GAZEBO CAN USE UP TO FOUR HEADER BEAMS OVER OPEN SPACES. YOU MAY REQUIRE 0, 1, 2, 3 OR 4 BEAMS DEPENDING ON THE OPTIONS SELECTED. SEE EXAMPLES. IF ALL FOUR SIDES ARE ENCLOSED WITH DOORS, WINDOWS, WALL PANELS, ETC. THEN NONE OF THE 4 HEADER BEAMS ARE REQUIRED.**



**TWO SIDES OPEN: REQUIRES 2 OF 4 HEADER BEAMS**

**ONE SIDE OPEN: REQUIRES 1 OF 4 HEADER BEAMS**

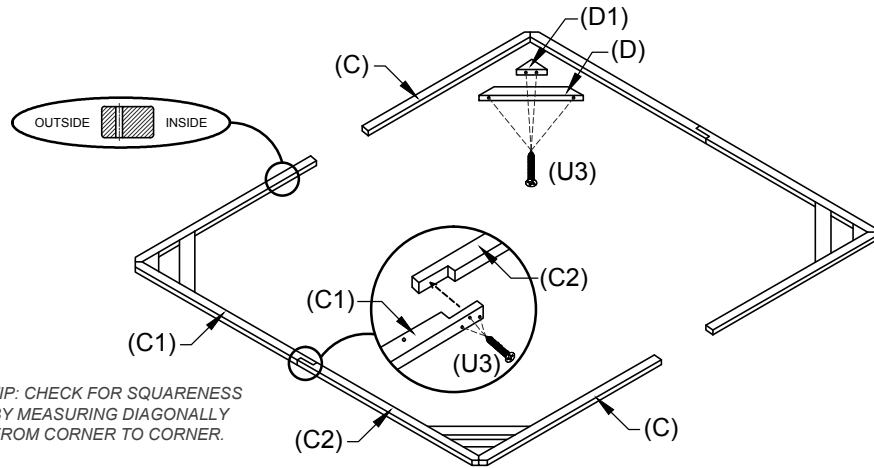
DRAWN BY:	J. SMITH	SCALE:	NTS
CHECKED BY:	J. OLSON	DATE:	12/28/2015



TITLE:		10' x 14' Gazebo Wall Header Assembly	JOB #:	10x14
REVISION NUMBER:	DATE:		DWG #:	PAGE 5

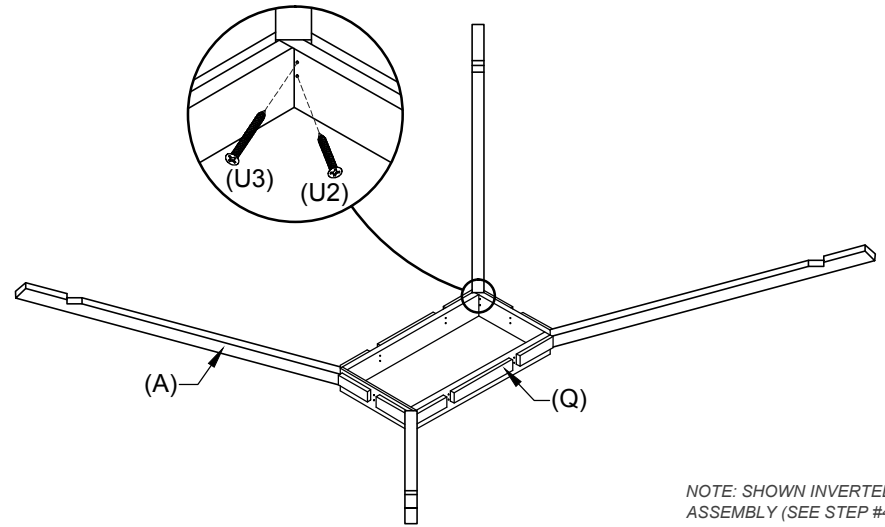
### STEP #1:

- A. LAY OUT PIECES ON A FLAT SURFACE.
- B. ATTACH CORNER BRACES (D & D1) AS SHOWN.
- C. CONNECT SILL PLATES (C1 & C2) ON 10' SIDES.
- D. POSITION EACH HALF OF TOP OF WALL PANELS.
- E. ASSEMBLE BEAMS (C) TO COMPLETE SILL PLATE ASSEMBLY.



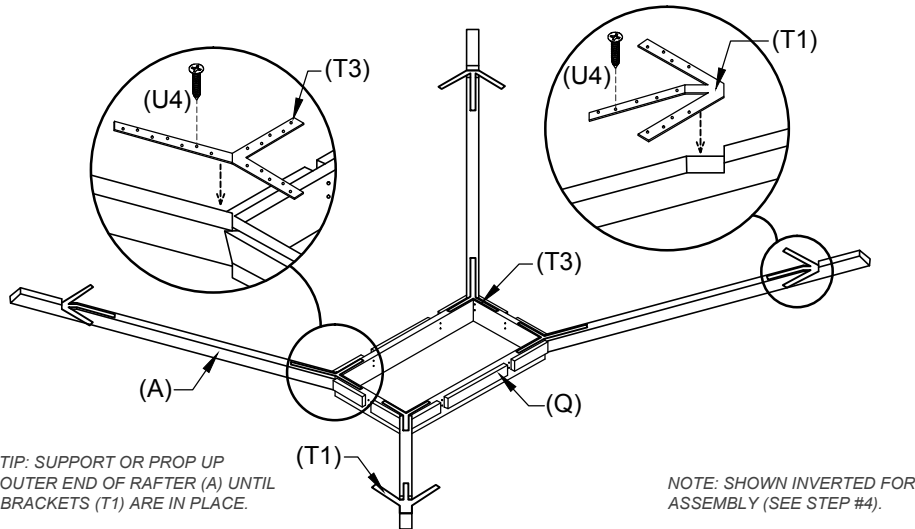
### STEP #2:

- A. SCREW FOUR CORNER RAFTERS (A) TO SKYLIGHT FRAME (Q).



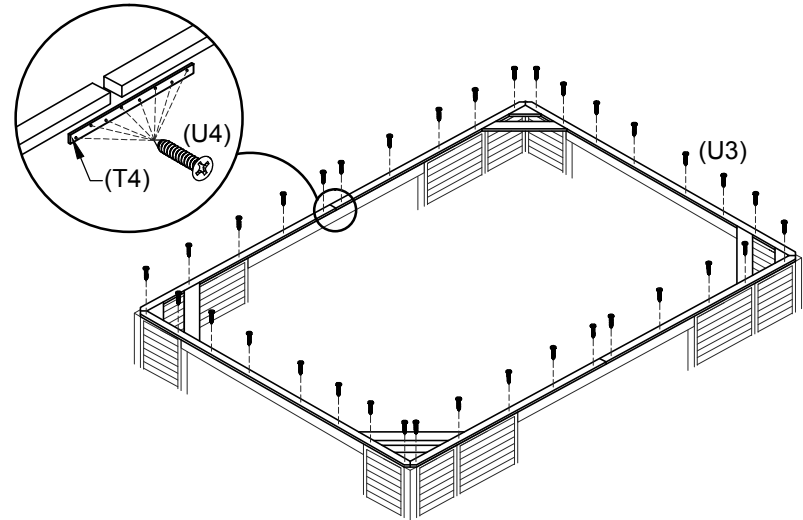
### STEP #3:

- A. ATTACH BRACKETS (T3) TO RAFTERS (A) AND SKYLIGHT FRAME (Q).
- B. ATTACH BRACKETS (T1) TO ENDS OF CORNER RAFTERS (A).



### STEP #4:

- A. SPLICE ROOF HEADER BEAMS TOGETHER WITH BRACKETS (T4) BEFORE RAFTERS ARE POSITIONED.
- B. SCREW HEADER BOARDS (FROM TOPSIDE) TO SILL PLATE.



DRAWN BY: J. SMITH

SCALE: NTS

CHECKED BY: J. OLSON

DATE: 12/28/2015



TITLE: 10' x 14' Gazebo  
Roof Assembly: Steps 1-4

JOB #: 10x14

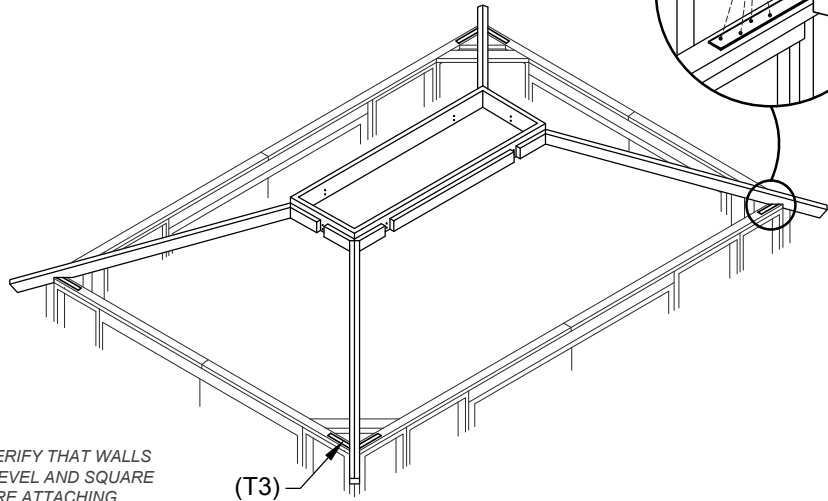
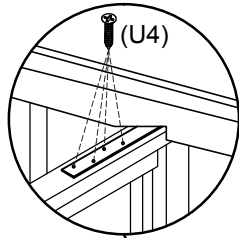
REVISION NUMBER:

DATE:

DWG #: PAGE 6

### STEP #5:

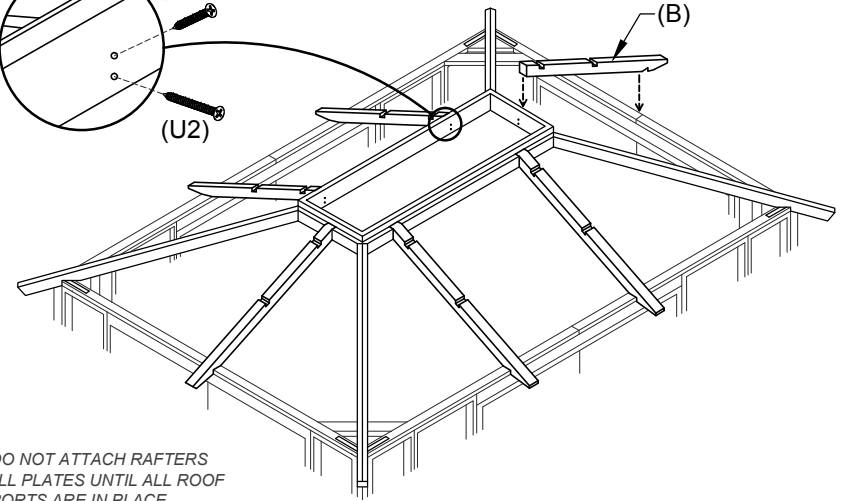
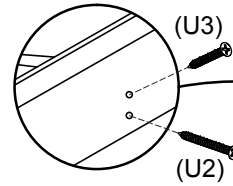
A. SECURE RAFTERS TO SILL PLATES BY SCREWING BRACKETS (T3) INTO PLACE AT EACH CORNER.



TIP: VERIFY THAT WALLS ARE LEVEL AND SQUARE BEFORE ATTACHING RAFTERS TO SILL PLATES.

### STEP #6:

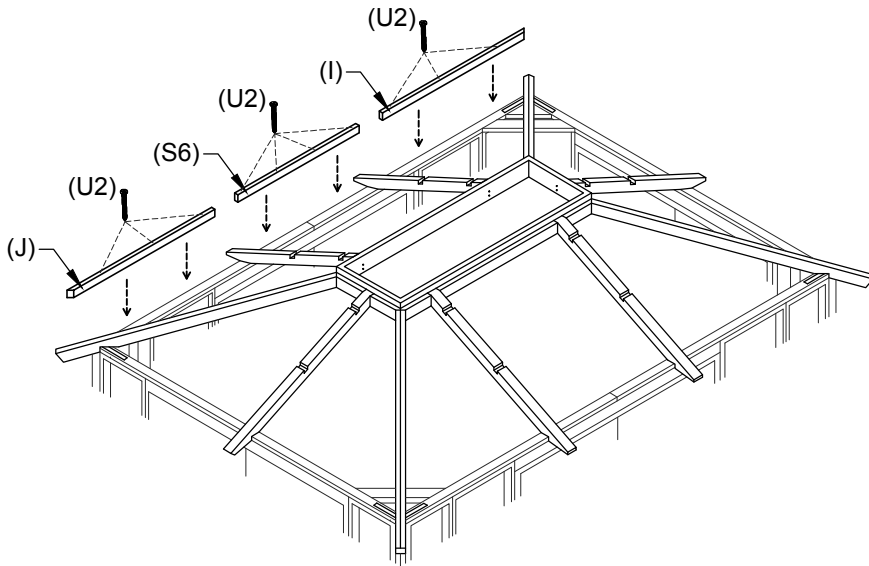
A. ATTACH SIX MIDDLE RAFTERS (B) TO SKYLIGHT FRAME (Q).



TIP: DO NOT ATTACH RAFTERS TO SILL PLATES UNTIL ALL ROOF SUPPORTS ARE IN PLACE.

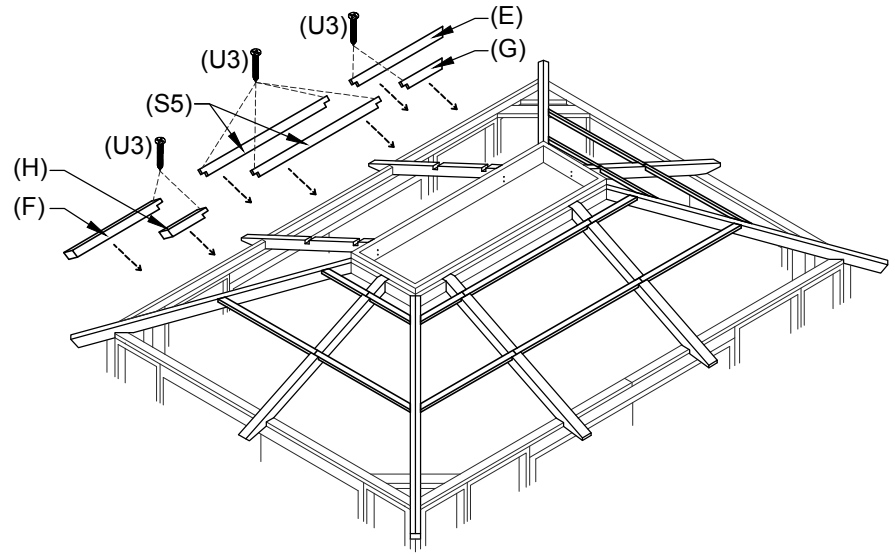
### STEP #7:

A. ATTACH LOWER ROOF SUPPORTS (I, J & S6) TO SILL PLATES (C).



### STEP #8:

A. ATTACH CENTER ROOF SUPPORTS (E, F & S5) TO RAFTERS (A & B).  
 B. ATTACH UPPER ROOF SUPPORTS (G, H & S5) TO RAFTERS (A & B).



DRAWN BY: J. SMITH

SCALE: NTS

CHECKED BY: J. OLSON

DATE: 12/28/2015



TITLE: 10' x 14' Gazebo  
 Roof Assembly: Steps 5-8

JOB #: 10x14

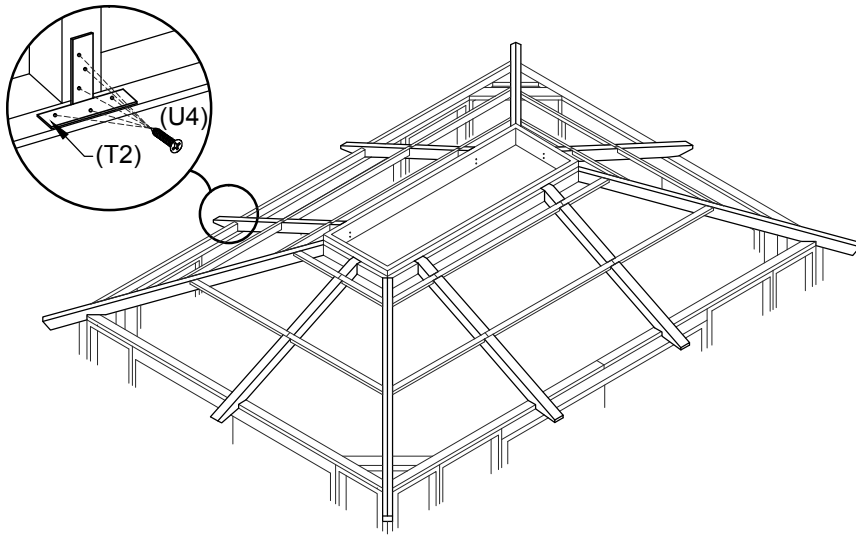
REVISION NUMBER:

DATE:

DWG #: PAGE 7

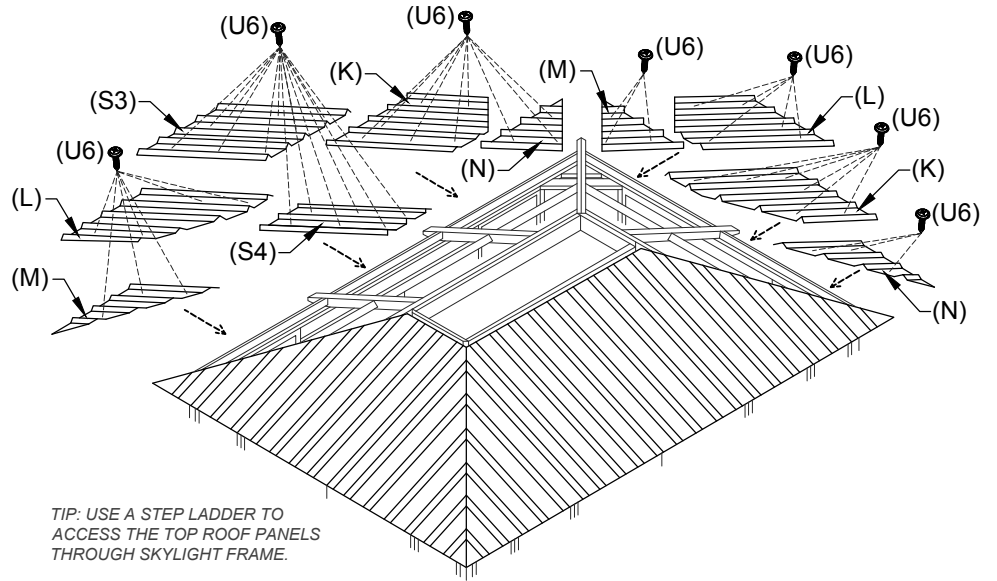
### STEP #9:

- A. ATTACH BOTTOM OF RAFTERS (6X) TO BEAMS (C & C1) WITH BRACKETS (T3) AS SHOWN.



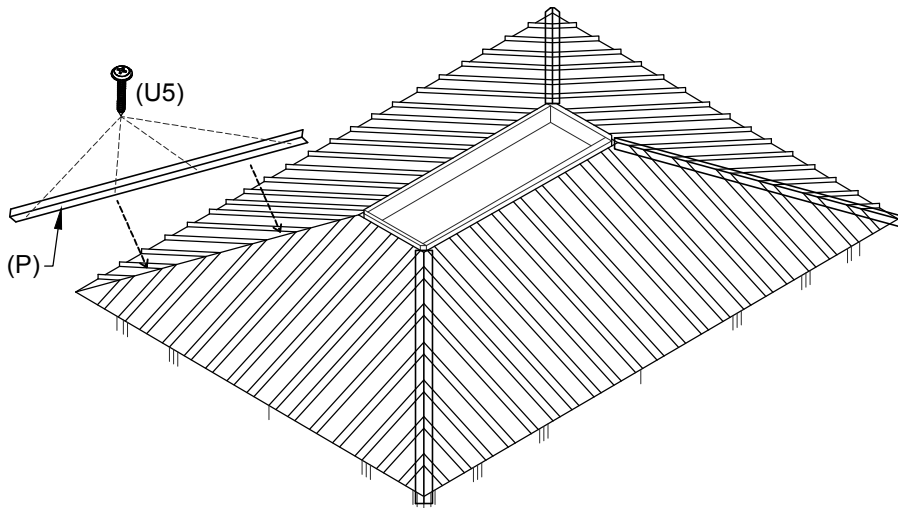
### STEP #10:

- A. POSITION LARGE CENTER PANELS (K, L & S3/S4), THEN SCREW INTO PLACE THROUGH PRE-DRILLED HOLES.  
 B. POSITION LOWER CORNER PIECES (M & N), ALIGN LOWER EDGES, THEN SCREW INTO PLACE.



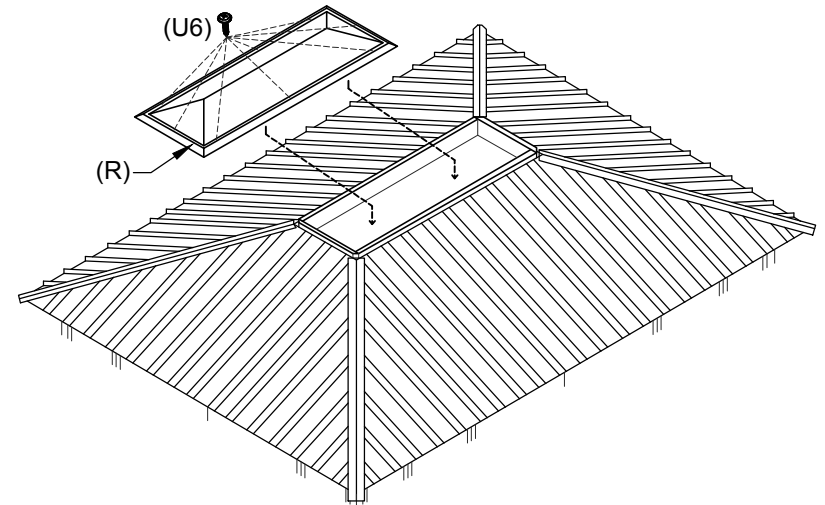
### STEP #11:

- A. POSITION METAL RIDGE CAP (P) OVER CORNER SEAM, THEN SCREW INTO PLACE. REPEAT AT EACH CORNER.



### STEP #12:

- A. ATTACH SKYLIGHT (R) TO SKYLIGHT FRAME (Q) AS SHOWN.



DRAWN BY: J. SMITH

SCALE: NTS

CHECKED BY: J. OLSON

DATE: 12/28/2015



TITLE: 10' x 14' Gazebo  
 Roof Assembly: Steps 9-12

JOB #: 10x14

REVISION NUMBER:

DATE:

DWG #: PAGE 8