

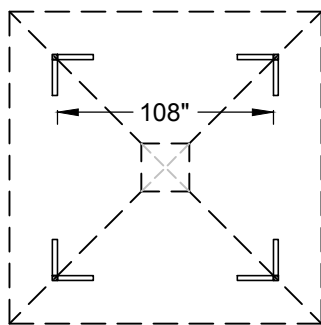
BASIC 10' x 10' GAZEBO

QUICK REFERENCE OVERVIEW SHOWING BASIC COMPONENTS



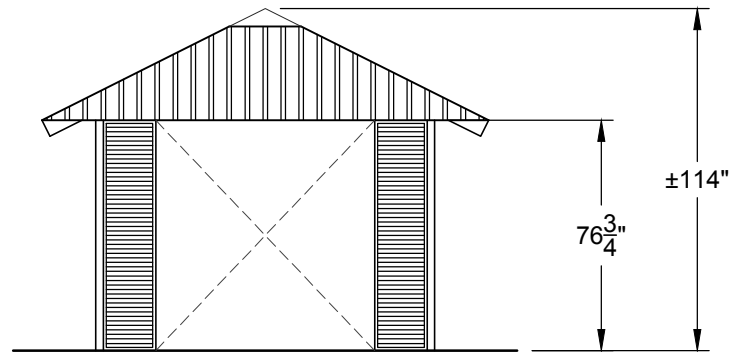
NOTE: MAKE SURE BUILDING SITE IS LEVEL AND HAS NO OBSTRUCTIONS (ROOF OVERHANGS, ELECTRICAL WIRES, TREE BRANCHES, ETC.)

ISOMETRIC VIEW



PLAN VIEW

SCALE: 1/8" = 1'-0"



ELEVATION

SCALE: 3/16" = 1'-0"

DRAWN BY: J. SMITH

SCALE: AS NOTED

CHECKED BY: J. OLSON

DATE: 12/28/2015



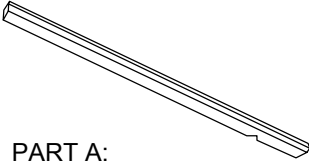
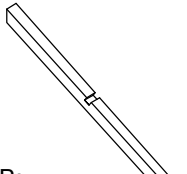
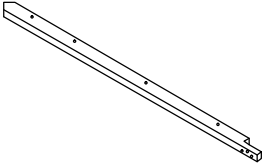
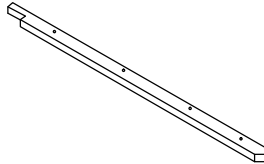
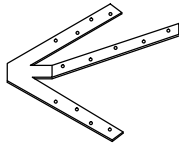
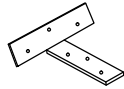
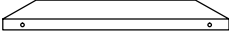

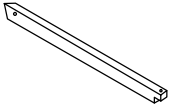
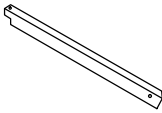
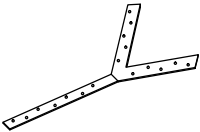
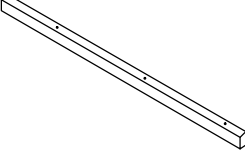
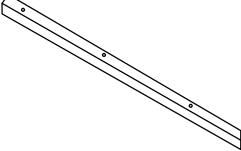
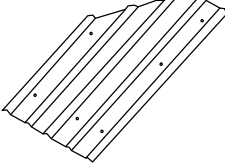
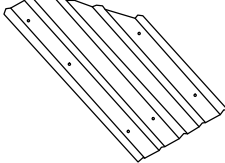


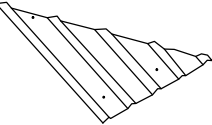
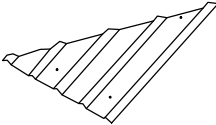
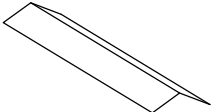


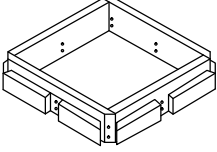
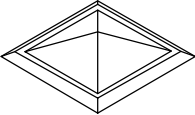

TITLE: 10' x 10' Gazebo Overview

JOB #: 10x10

REVISION NUMBER:

DATE:

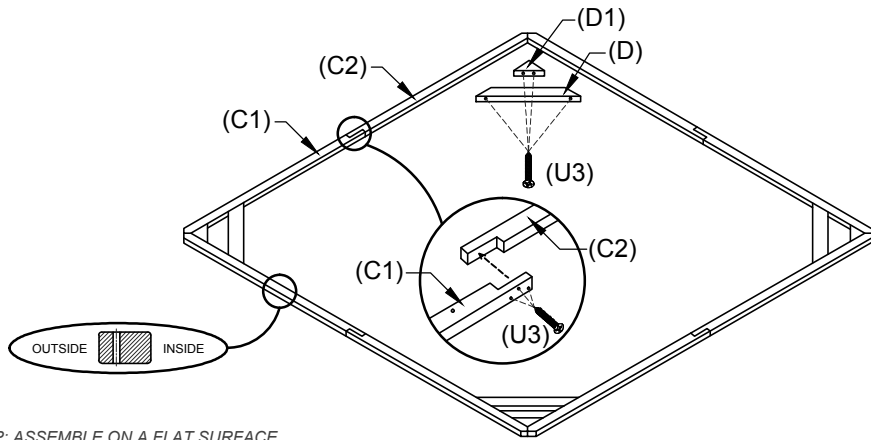
DWG #: PAGE 1

 <p>PART A: CORNER RAFTER QTY: 4 SIZE: 57 1/2" (1460mm)</p>	 <p>PART B: MIDDLE RAFTER QTY: 4 SIZE: 78" (1980mm)</p>	 <p>PART C1: SILL PLATE QTY: 4 SIZE: 57 1/2" (1160mm)</p>	 <p>PART C2: SILL PLATE QTY: 4 SIZE: 57 1/2" (1160mm)</p>	 <p>PART T1: BRACKET QTY: 4</p>	 <p>PART T2: BRACKET QTY: 4</p>
 <p>PART D: DIAGONAL CORNER GUSSET QTY: 4 SIZE: 23" (590mm)</p>	 <p>PART D1: CORNER GUSSET QTY: 4 SIZE: 7" (180mm)</p>	 <p>PART E: MIDDLE ROOF SUPPORT QTY: 4 SIZE: 35" (886mm)</p>	 <p>PART F: MIDDLE ROOF SUPPORT QTY: 4 SIZE: 35" (886mm)</p>	 <p>PART T3: BRACKET QTY: 4 (USED TO ATTACH RAFTER TO SKYLIGHT BOX)</p>	
 <p>PART I: LOWER ROOF SUPPORT QTY: 4 SIZE: 53 1/4" (1355mm)</p>	 <p>PART J: LOWER ROOF SUPPORT QTY: 4 SIZE: 53 1/4" (1355mm)</p>	 <p>PART (A-1) (B-1): METAL ROOF PANEL QTY: 2 OF EA. SIZE: 58" (1180mm)</p>	 <p>PART (A-2) (B-2): METAL ROOF PANEL QTY: 2 OF EA. SIZE: 58" (1180mm)</p>	 <p>PART U2: SCREW QTY: 32 SIZE: 1/8 x 3" (5 x 75mm)</p>	 <p>PART U3: SCREW QTY: 100 SIZE: 1/8 x 2 1/8" (5 x 55mm)</p>
 <p>PART (A-3) (B-3): METAL ROOF PANEL QTY: 2 OF EA. SIZE: 37" (915mm)</p>	 <p>PART (A-4) (B-4): METAL ROOF PANEL QTY: 2 OF EA. SIZE: 37" (915mm)</p>	 <p>PART P: METAL RIDGE CAP QTY: 4 SIZE: 80" (2032mm)</p>		 <p>PART U4: SCREW QTY: 144 SIZE: 1/8 x 1 1/8" (4 x 30mm)</p>	 <p>PART U5: SCREW QTY: 24 SIZE: 1/8 x 2 1/8" (4 x 55mm)</p>
 <p>PART Q: WOOD SKYLIGHT FRAME QTY: 1 SIZE: 26" (650mm)</p>	 <p>PART R: SKYLIGHT QTY: 1 SIZE: 24" (610mm)</p>			 <p>PART U6: SCREW QTY: 80 SIZE: 1/8 x 1" (4 x 20mm)</p>	

DRAWN BY: J. SMITH	SCALE: NTS		TITLE: 10' x 10' Gazebo Parts List		JOB #: 10x10
CHECKED BY: J. OLSON	DATE: 12/28/2015		REVISION NUMBER:	DATE:	DWG #: PAGE 2

STEP #1:

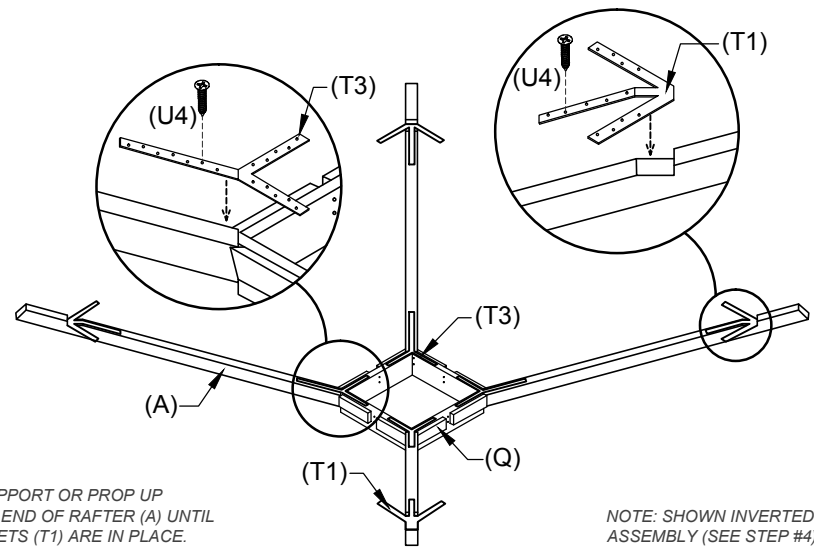
- A. POSITION SILL PLATES (C) IN A SQUARE.
- B. ATTACH FOUR SMALL CORNER GUSSETS (D1).
- C. ATTACH FOUR LARGE CORNER GUSSETS (D).



TIP: ASSEMBLE ON A FLAT SURFACE.
CHECK FOR SQUARENESS BY MEASURING
DIAGONALLY FROM CORNER TO CORNER.

STEP #2:

- A. SCREW BRACKETS (T1 & T3) TO CORNER RAFTERS (A).

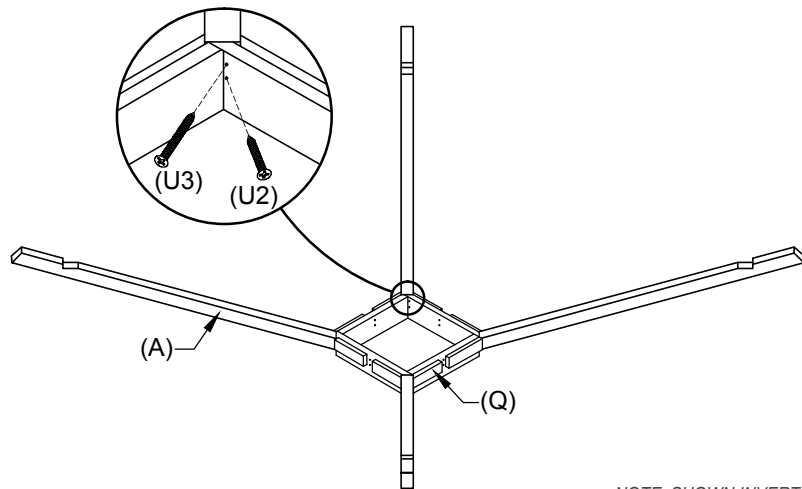


TIP: SUPPORT OR PROP UP
OUTER END OF RAFTER (A) UNTIL
BRACKETS (T1) ARE IN PLACE.

NOTE: SHOWN INVERTED FOR
ASSEMBLY (SEE STEP #4).

STEP #3:

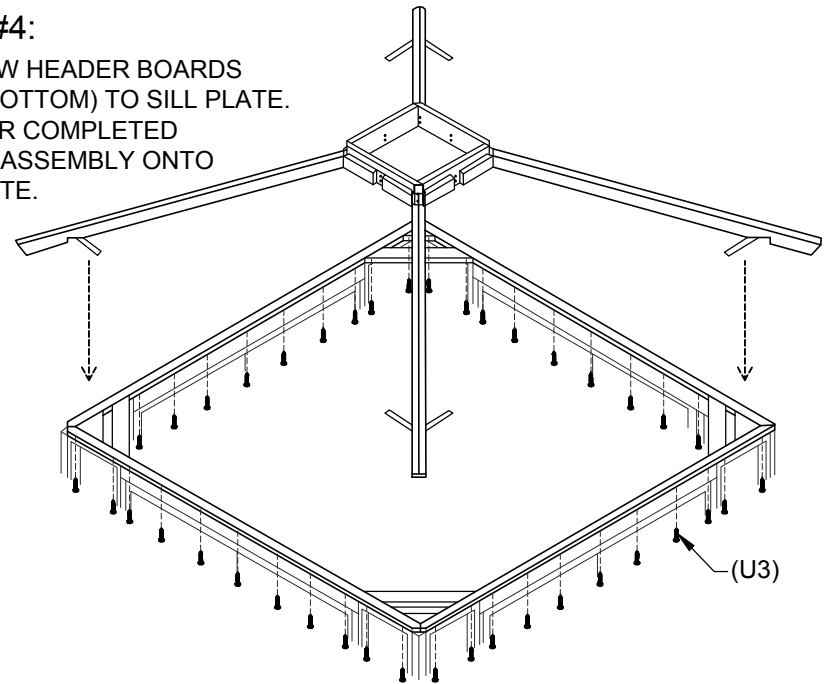
- A. SCREW FOUR CORNER RAFTERS (A) TO SKYLIGHT FRAME (Q).



NOTE: SHOWN INVERTED FOR
ASSEMBLY (SEE STEP #4).

STEP #4:

- A. SCREW HEADER BOARDS (FROM BOTTOM) TO SILL PLATE.
- B. LOWER COMPLETED
RAFTER ASSEMBLY ONTO
SILL PLATE.



DRAWN BY: J. SMITH

SCALE: NTS

CHECKED BY: J. OLSON

DATE: 12/28/2015



TITLE: 10' x 10' Gazebo
Assembly: Steps 1-4

JOB #: 10x10

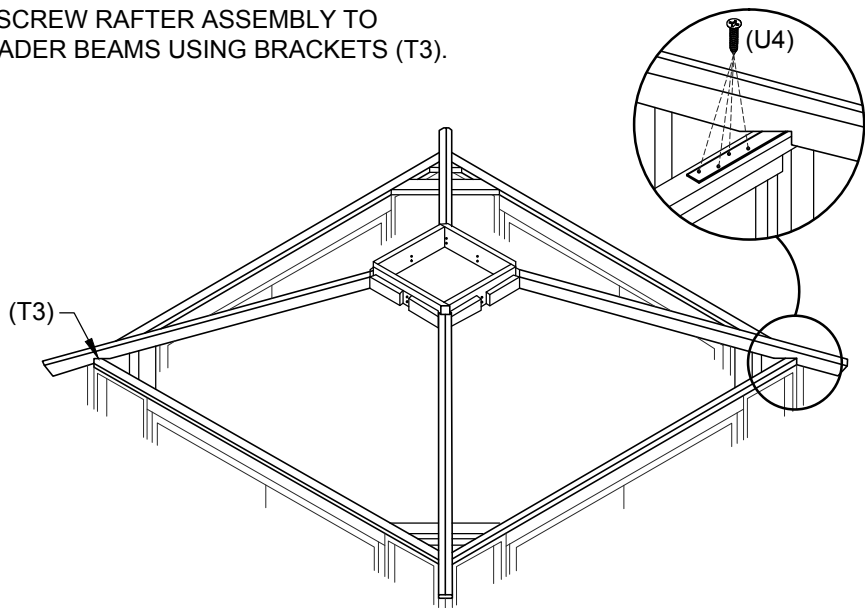
REVISION NUMBER:

DATE:

DWG #: PAGE 3

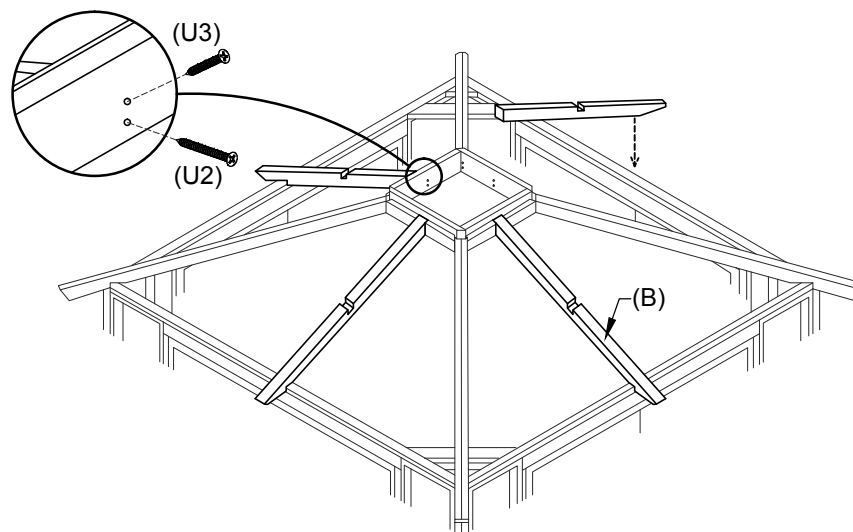
STEP #5:

A. SCREW RAFTER ASSEMBLY TO HEADER BEAMS USING BRACKETS (T3).



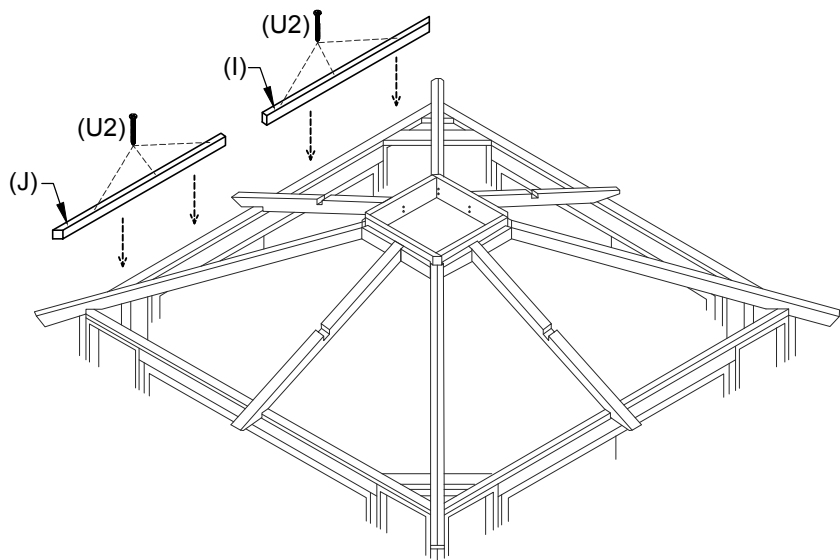
STEP #6:

A. ATTACH FOUR MIDDLE RAFTERS (B) TO SKYLIGHT FRAME (Q). DO NOT SECURE LOWER END TO SILL PLATE UNTIL STEP #9.



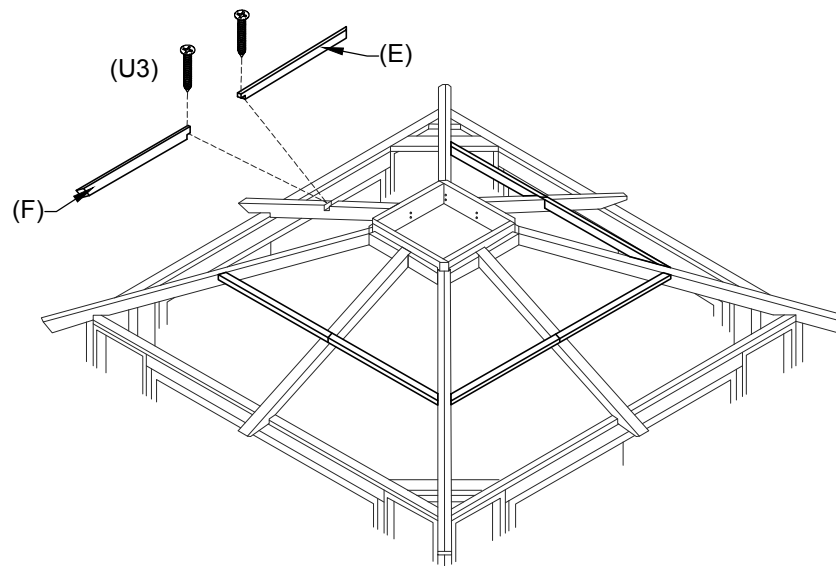
STEP #7:

A. ATTACH LOWER ROOF SUPPORTS (I & J) BETWEEN CORNER RAFTERS (A) AND MIDDLE RAFTERS (B).



STEP #8:

A. ATTACH MIDDLE ROOF SUPPORTS (E & F) TO RAFTERS (A & B).



DRAWN BY: J. SMITH

SCALE: NTS

CHECKED BY: J. OLSON

DATE: 12/28/2015



TITLE: 10' x 10' Gazebo
Assembly: Steps 5-8

JOB #: 10x10

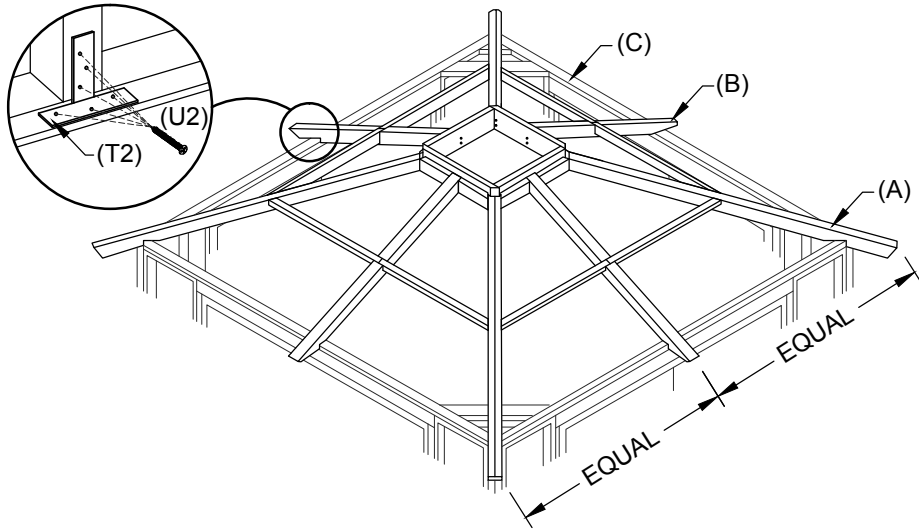
REVISION NUMBER:

DATE:

DWG #: PAGE 4

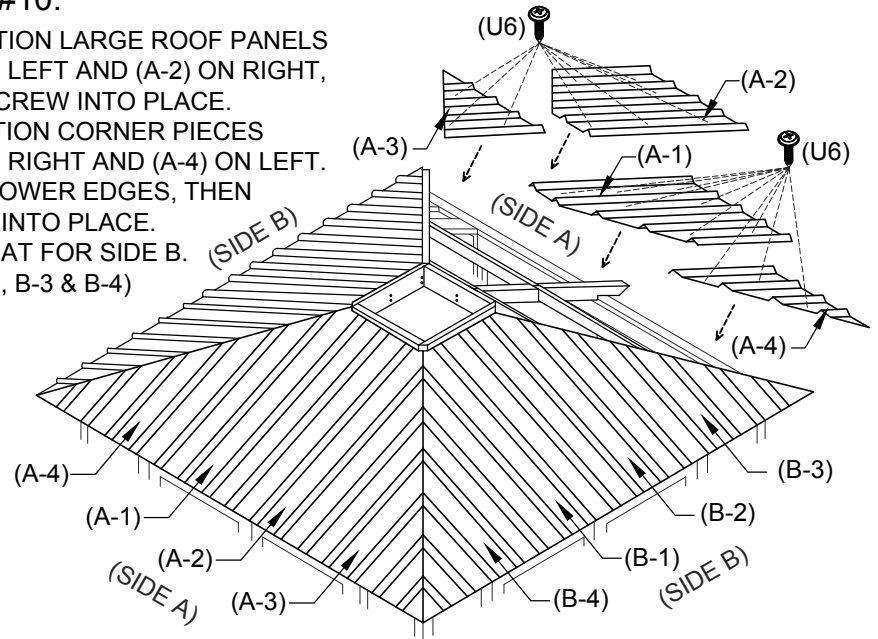
STEP #9:

A. ATTACH BOTTOM OF MIDDLE RAFTERS (B) TO SILL PLATES (C) WITH BRACKET (T2) AS SHOWN. VERIFY WITH TAPE MEASURE THAT MIDDLE RAFTERS (B) ARE CENTERED BETWEEN CORNER RAFTERS (A).



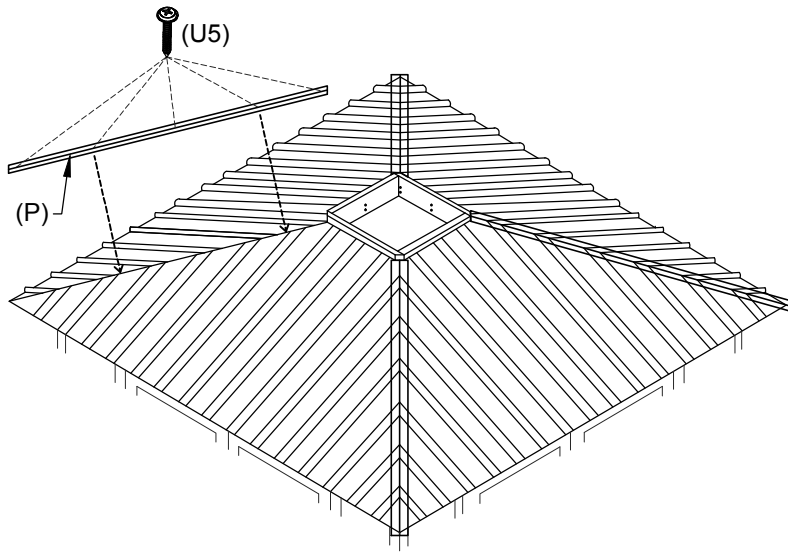
STEP #10:

A. POSITION LARGE ROOF PANELS (A-1) ON LEFT AND (A-2) ON RIGHT, THEN SCREW INTO PLACE.
 B. POSITION CORNER PIECES (A-3) ON RIGHT AND (A-4) ON LEFT. ALIGN LOWER EDGES, THEN SCREW INTO PLACE.
 C. REPEAT FOR SIDE B. (B-1, B-2, B-3 & B-4)



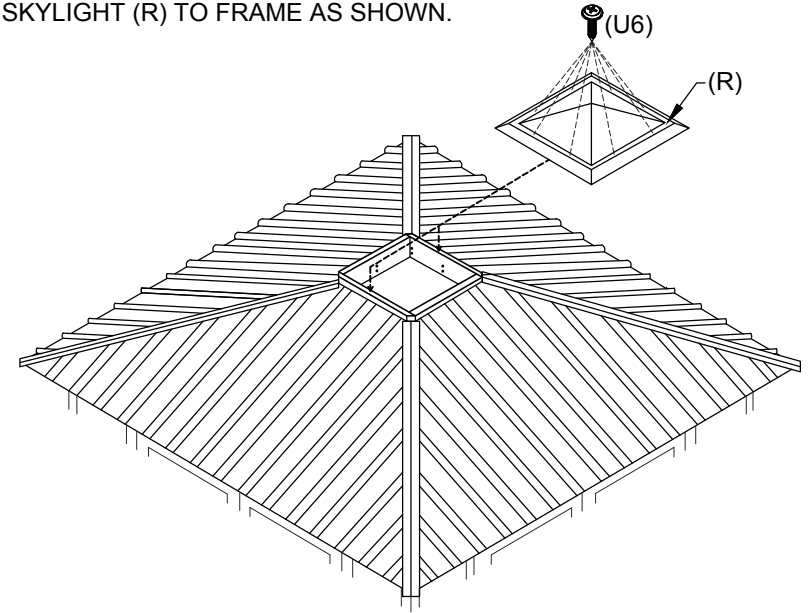
STEP #11:

A. POSITION METAL RIDGE CAP (P) OVER CORNER SEAM AND SCREW INTO PLACE. REPEAT AT EACH CORNER.



STEP #12:

A. ATTACH SKYLIGHT (R) TO FRAME AS SHOWN.



DRAWN BY: J. SMITH

SCALE: NTS

CHECKED BY: J. OLSON

DATE: 12/28/2015



TITLE: 10' x 10' Gazebo
 Assembly: Steps 9-12

JOB #: 10x10

REVISION NUMBER:

DATE:

DWG #: PAGE 5